

Normec Internal Footvalve

4" foot valve with pneumatic control, pressure balanced design. The foot valve is made so that the shutter position can be checked by the position of a control stem. The shutter can be manually opened by means of a special key, in any case of failure of the air supply (80.40.60).

Technical Specifications

Flow Rate:	Up to 2500 l/min
Working Pressure:	1000kPa
Min Operating Air Pressure:	400kPa
Max Operating Air Pressure:	900kPa
Air Fittings:	1/8" BSP
Materials:	Aluminium body and valve piston mechanism Stainless steel shaft Viton seals

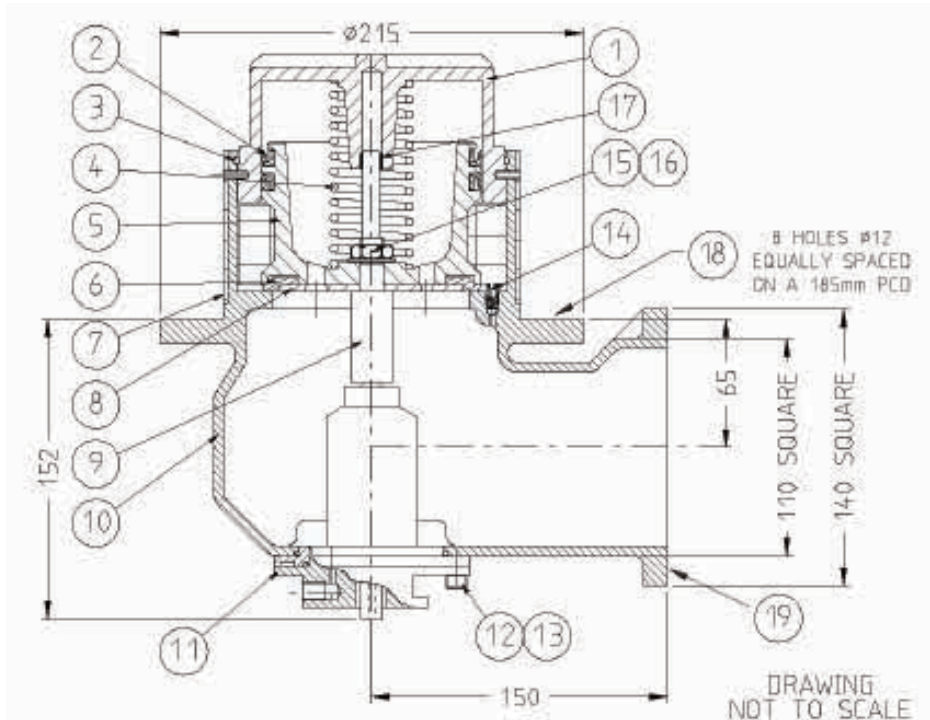
Ordering Information

Part No	Description
NOR-904120	Pressure Balanced Internal Footvalve
300605.6	Aluminium Tank Flange to suit
300140.1	Viton Gasket to suit flange



Normec Internal Footvalve

Ordering Information



NOR-904120 (Parts List)

Item No	Part No	Description	Qty	Material
1	80.42.73	Compensating Bell	1	Aluminium
2	034.024	U-Seal	2	Viton
3	80.40.04	Spring Clip Internal	1	St Steel
4	90.41.26	Spring	1	N/P M/S
5	80.42.74	Poppet	1	Aluminium
6	80.42.75	Poppet Seal	1	Viton
7	90.41.23	Filtrating Gauze	1	Z/P M/S
8	90.41.24	Seal Retaining Washer	1	Z/P M/S
9	90.41.22	Poppet Spindle	1	St Steel
10	90.41.21	Valve Body	1	Aluminium
11	90.40.50	Piston	1	Aluminium
12	003.039	Capscrew	4	Z/P M/S
13	024.005	Washer Shakeproof	4	Z/P M/S
14	80.43.10	Equalising Pressure Valve	1	Z/P M/S
15	015.063	Nut	1	Z/P M/S
16	027.108	Washer	1	Z/P M/S
17	049.016	Bush	1	
18	300140.1	Gasket	1	Viton
19	300138.2	Square Gasket	1	Viton