

HATCH WEATHER COVERS

Liquip offer a Hatch Weather Covers to suit the Liquip VOH400 range of hatches/manholes.

Hatch Weather Covers protect the Hatches against the of ingress water into compartments, primarily for aviation tankers.

Features & Benefits

- Composite Anti Static material.
- Simple stainless steel split pins allow for easy removal for maintenance.
- Quick release rubber clamp allows for quick opening and closing of the cover.
- Cover has a cut out for the vapour vent (AVV vent) to connect to the vapour coaming.



HWC301C model shown

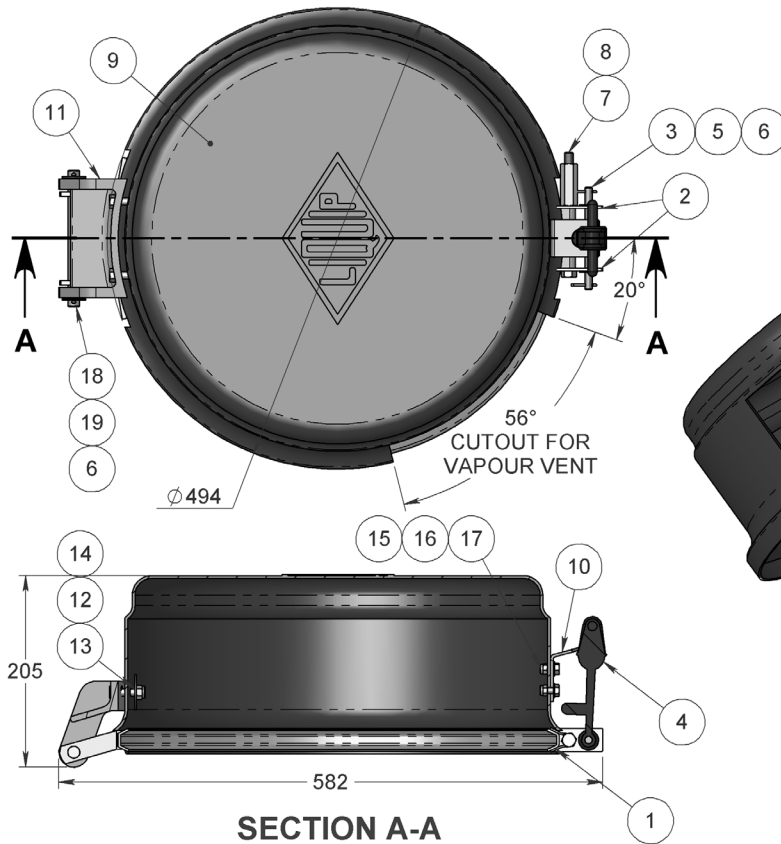
Ordering Information

- **HWC301:** Black Hatch Weather Cover for VOH400 Manholes.
- **HWC301C:** Black Hatch Weather Cover for VOH400 Manholes with AVV cut out.

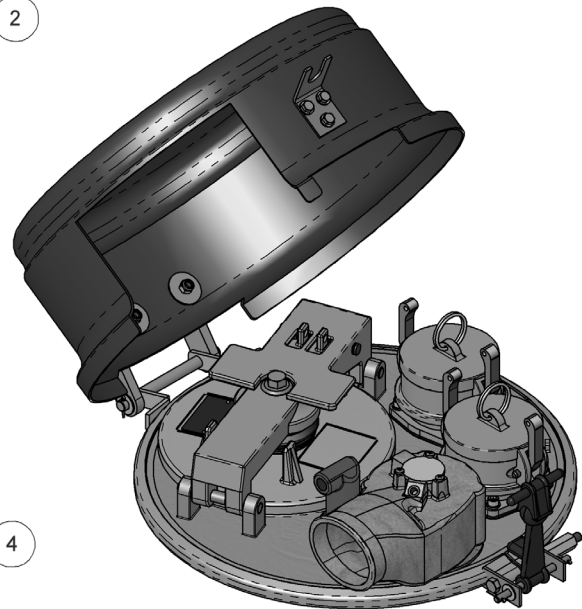
Specifications

Operation	Liquip hatch weather covers are hinged on one end with an over-centre rubber clamp latch on the opposite end. To allow full access to the hatch cover, unhook the clamp and lift the cover.	
Adjustment or Service	Latching end is self-centring.	
Materials of Construction	Cover	Composite Anti Static material.
	Clampband & fasteners	Zinc Plated mild steel.
	Hinge bracket on cover	Cast aluminium.
Mounting	HWC301 has an integrated clampband which replaces the standard clampband to secure VOH hatch.	
Dismantle	After opening the hatch weather cover, remove one split pin from the hinge pin and remove the hinge pin to detach the weather cover from the clampband.	
Weight	2.6kg	
Associated Equipment	VOH4102A4N0	Aluminium manhole cover.
	VOH4102A4A0Z	VOH4102A4N0 comes with clamp band assembly and PVV104M (pressure & vacuum vent).
	VOH4102A4N0Z	VOH4102A4N0 comes with clamp band assembly and PVV blanking plate.

HWC301 HATCH WEATHER COVER



SECTION A-A



FITTED TO VOH410 HATCH

ITEM	PART No	DESCRIPTION	QTY	MATERIAL
1	HWC301-1	CLAMPBAND DETAILS	1	STEEL
2	HWC301-3	CLAMP BRACKETS	2	STEEL
3	HWC301-5	CLAMP PIN	1	ST STEEL
4	0987	5" RUBBER CLAMP BLACK	1	NAT RUBBER
5	0101	WASHER FLAT	2	Z/P STEEL
6	0764	SPLIT PIN	4	ST STEEL
7	4877	BOLT HEX HD IMP	1	Z/P STEEL
8	PH100-3	NUT - EXTENDED	1	Z/P STEEL
9	70036	HATCH WEATHER COVER	1	FIBERGLASS
10	HWC301-2	CLAMP DOWN BRACKET	1	STEEL
11	SH201-17	LARGE HINGE BRACKET FOR	1	ALUMINIUM
12	0500	WASHER FLAT LARGE OD	2	Z/P STEEL
13	0012	SETSCREW HEX	2	Z/P STEEL
14	0149	NUT NYLOC	2	Z/P STEEL
15	3090	SETSCREW HEX HD IMPERIAL	3	Z/P STEEL
16	0100	WASHER FLAT	3	Z/P STEEL
17	4399	NUT NYLOC	3	Z/P STEEL
18	SH201-13	HINGE PIN FOR	1	ST STEEL
19	0104	WASHER FLAT IMPERIAL	2	Z/P STEEL