

# SLV5xx Cable Operated Emergency Valve

The Liquip bottom valve leads the industry with its low profile, low splash and vortex free design enabling faster tanker unloading than traditional mushroom poppet valves.

Used globally by road tankers that carry fuels, the Liquip SLV5 series has become a benchmark for the industry. Easy to maintain because of its simplicity and low profile, excellent for both loading and discharge, this valve also reduces static created during flow by reducing splash and vortex.

The valve is operated with a cable, which lifts the hinged poppet (which also acts as a splash deflector).



SLV5CO Footvalve model shown

## Key Features

- Incorporates the latest technical advancements to ensure fast and safe loading and discharge of road tankers.
- A unique hinged poppet design has a concave design which operates as a splash deflector, eliminating vortexing and reducing splash, surge and static build up during loading and unloading.
- The valve is installed in the compartment floor and controls the flow of product from each compartment.
- Incorporates a shear groove designed to retain the compartment contents in the event of accidental damage to the outlet piping or APIs.
- Minimal pressure drop across the system.
- Can be operated by cable and compartment operators from the ground or top of the tanker.
- Manual operator can easily be replaced by a Air Operator Assembly (ARO100) for pneumatic operation.
- Faster flow rates and a reduction in static electricity for improved and safer operation.
- Hinged poppet design gives minimum height, so valve requires very little clearance to drop out for servicing.
- Specially bonded lip seal design for superior sealing and extended life.

## Technical Information

Periodic Service	No routine maintenance required. Check sealing of valve as required by authorities.
Pressure Rating	Nominal Ø100mm flow area except poppet is Ø125mm bore for minimal pressure drop. Force to open via cable operator is ~30N. (Needs a minimum of 350kPa of air pressure if air operated).
Mounting	Bolted to sump or tank flange at the bottom of tank 8 holes Ø9.5 on a 210 PCD. Outlet adaptor from rectangular to round is available in aluminium or steel. <b>NOTE:</b> If valve is to be used in Australia the following gaskets must be used to comply with SLP (Safe Load Practice) Pass-2-Load: (1 x 0200V; 1 x 0272V and 2 x 0273V).
Weight	2.9 kg
Materials	Aluminium body. Stainless steel main spindle/springs. Bonded Viton main seal.
Conversion to Pneumatic Operation	1. Drain compartment and pipeline outlet dry 2. Disconnect operating cable and remove bracket-lever-plunger subassembly. 3. Fit pneumatic actuator ARO100 using a new gasket (0273V) 4. Fit 1/8" BSP hose connectors into actuator port and connect to air supply per standard procedure.

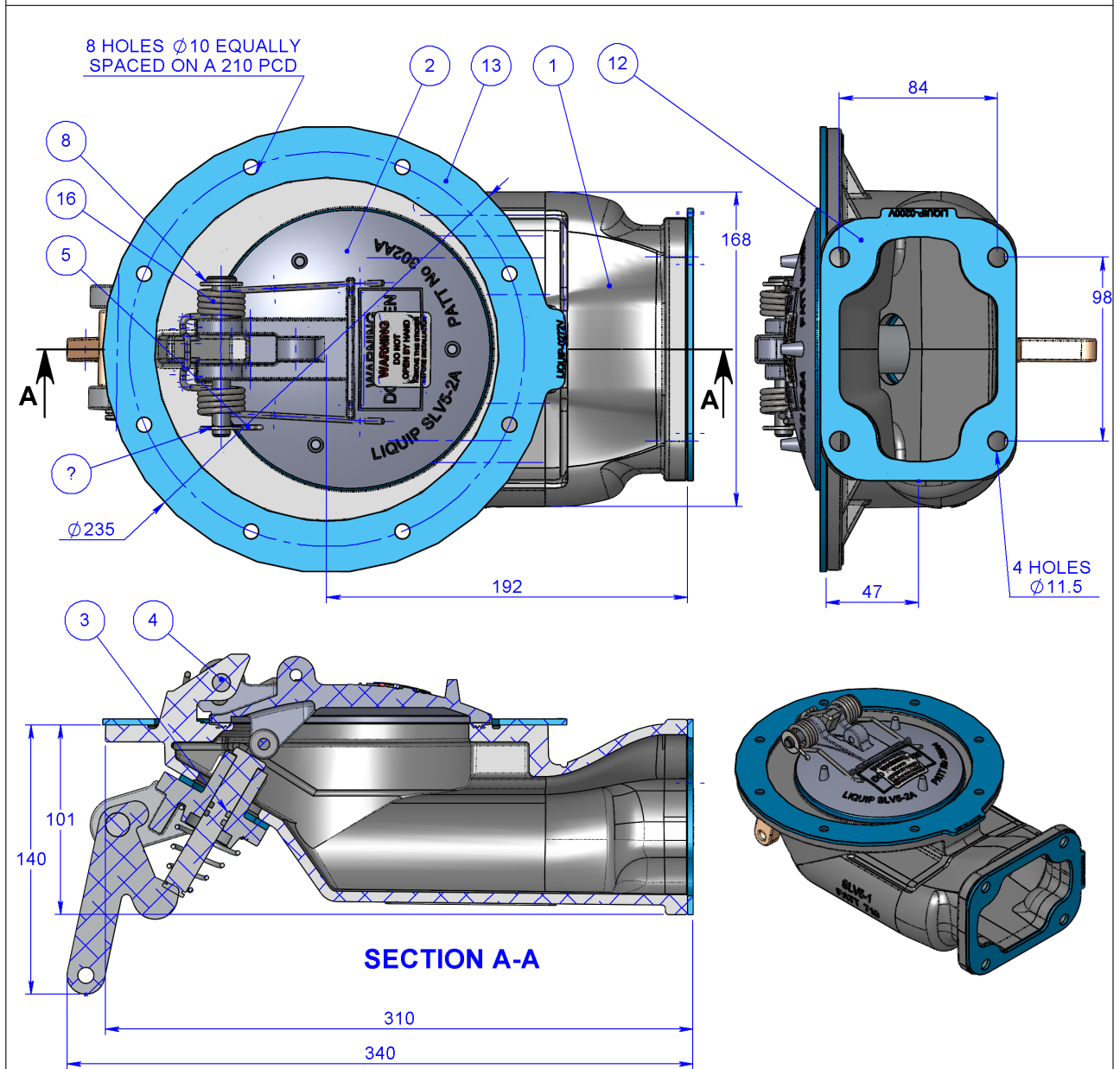
## Ordering Information

Item	Description
SLV5CO	Cable Operated Internal Valve with Bonded Viton A seal.
SLV5M	Cable Operated Internal Valve with Bonded Viton A seal (top operated only).

## Associated Equipment

Item	Description
CL402RG	Manual top operator (Aluminium handle / body, Viton A o-ring and Z/P steel internals).
ACL405RGAT	Air operated camlift (Aluminium handle and body, Teflon seals & stainless steel fasteners).
LW410	Stainless Steel Lifting Wire Kit.
SLV5-13A	Aluminium SLV5 Tank Flange c/w metric studs & nuts.
SLV5-13M	Mild Steel SLV5 Tank Flange c/w metric studs & nuts.
SLV5-47	4" Mild Steel Adaptor Outlet to suit 4" Steel Tube.
SLV5-110	Aluminium Adaptor Outlet to suit 100mm tube.
SLV5-114	Aluminium Adaptor Outlet to suit 4" pipe.

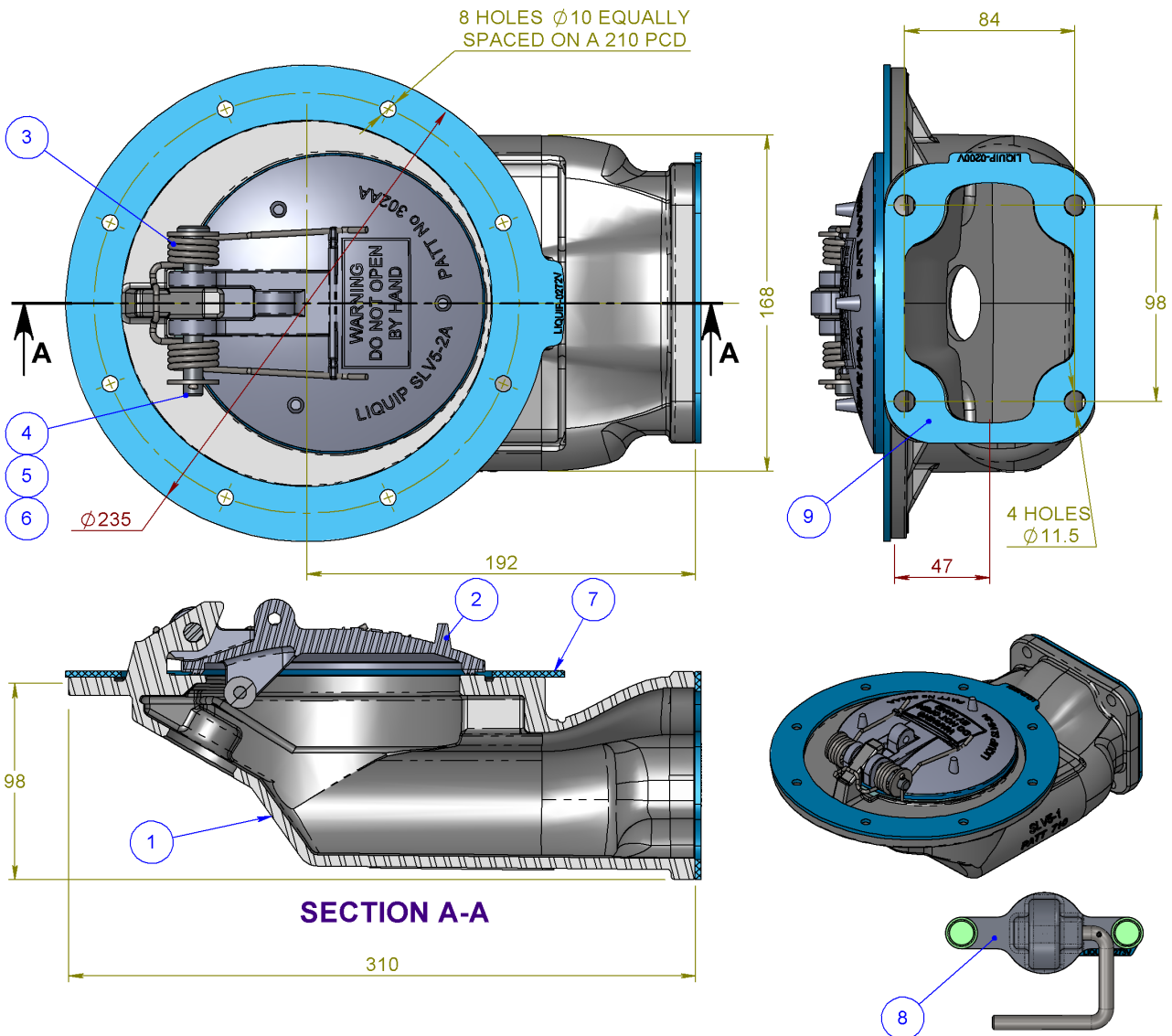
# SLV5CO



ITEM	PART No	DESCRIPTION	QTY	MATERIAL
1	SLV5-1	FOOTVALVE ELBOW BODY SLV5-1	1	ALUMINIUM
2	SLV5-2AS	SEAT VALVE BONDED SEAL VITON	1	ALUMINIUM
3	SLV5-44	RAM ASSY SLV5-CO	1	ALUMINIUM
4	SLV5-8	PIN VALVE SEAT PIVOT	1	ST STEEL
5	0764	PIN COTTER S/S	1	ST STEEL
12	0200V	GASKET PIPE FLANGE	1	VITON
13	0272V	GASKET TANK FLANGE	1	VITON
14	0812	FLAT WASHER	2	ST STEEL
16	6154	SPRING FOR SLV5	2	ST STEEL

METERS - VALVES - VENTS - MANHOLES - HOSEREELS - OVERFILL PROTECTION - LOADING ARMS - ELECTRONIC DIPSTICKS

# SLV5M EMERGENCY VALVE



9	0200V	GASKET FOR SLV5	1	VITON
8	SLV5-33	RAM MANUAL OPP ASSY	1	SEE DRAWING
7	0272V	GASKET TANK FLANGE	1	VITON
6	0764	SPLIT PIN	1	ST STEEL
5	0812	WASHER FLAT LARGE	2	ST STEEL
4	SLV5-8	PIN PIVOT OPERATING	1	ST STEEL
3	6154	SPRING DOUBLE TORSION	1	ST STEEL
2	SLV5-2AS	LID & ROLLER ASSY	1	ALUM / FKM
1	SLV5-1	FOOTVALVE ELBOW BODY SLV5-1	1	ALUMINIUM
ITEM	PART No	DESCRIPTION	QTY	MATERIAL

METERS - VALVES - VENTS - MANHOLES - HOSEREELS - OVERFILL PROTECTION - LOADING ARMS - ELECTRONIC DIPSTICKS

X1100014-C