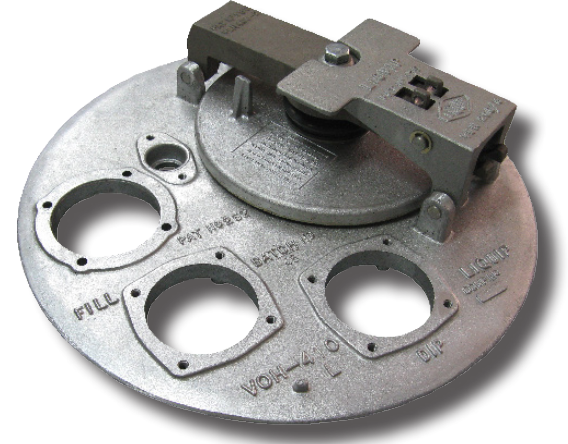


VOH410 Series Manhole Cover

Liquip offers a unique 455mm (18") diameter Manhole Cover to suit the specification of oil companies and transport fleets.

Liquip's VOH410 Series Manhole Covers are available in cast aluminium and comes with four equipment mounting positions for the addition of overfill probes, vapour vents, dip & fill tubes and Diptronic® tank gauging.

Australian & CEN drop test approval makes these manholes ideal for both top and bottom loading. The VOH410 Series is the premier manhole cover in the industry.



Key Features

- Australian & CEN Drop tested to provide additional security in the event of a tanker roller.
- Cast aluminium lightweight & durable construction.
- Two stage opening mechanism enables internal pressure to be released before completely opening the manhole cover.
- 225mm (9") emergency pressure vent included to enable bulk pressure release in event of a fire or rollover.
- Emergency vent doubles as an easy to open inspection hatch for top loading or visual inspection.
- Can be fitted with a 1" thermal pressure & vacuum vent complying with recognised industry codes (for thermal expansion purposes).
- Any mounting positions not utilised can be securely blanked off until required.
- Secure locking feature via Gravity Latch or Lockable bridge & Handle available.
- Additional security can be achieved with a non-opening bridge & handle design.

Adjustment or Service

Periodically check the seal in emergency vent for wear and main seal between cover & coaming.

Ordering Information

- **VOH4102A4N0**: Aluminium 18" manhole cover assembly.
- **VOH4102A4A0Z**: VOH4102A4N0 comes with clamp band assembly and PVV104 (vapour vent).
- **VOH4102A4N0Z**: VOH4102A4N0 comes with clamp band assembly and PVV blanking plate.

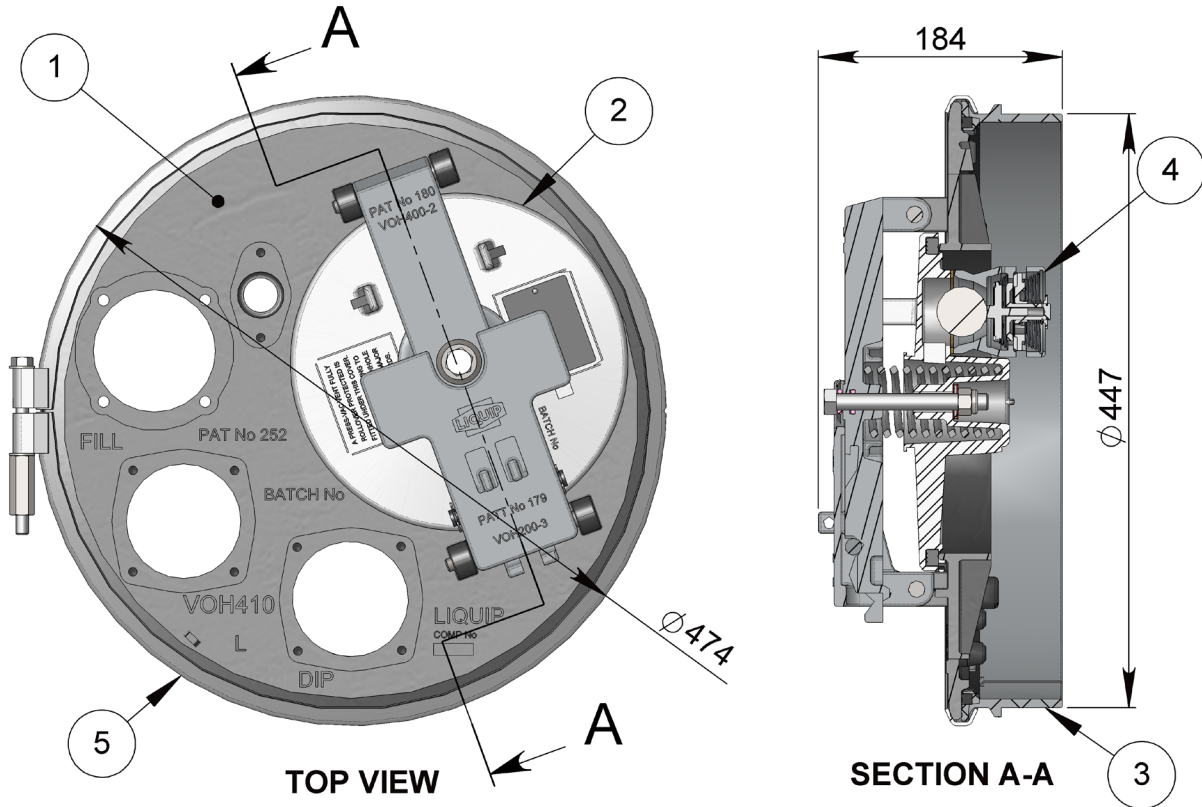
Specifications

Regulations	Passes the Australian & CEN drop Tests.
Mounting	A single clamp-band fits around the circumference of the manhole cover and the corresponding coaming which is tightened using a single bolt. Care must be taken to fit this clamp band according to instructions to ensure manhole cover integrity.
Weight	8.3kg (without coaming & mounted accessories)
Associated Equipment	VOH300-15P: Aluminium Coaming. VOH300-17: Mild Steel Coaming - Not Drop Test Approved. PH100-3: Nut Clamp Band. 4370: Zinc plated flat washer 3/8 x 3/4 OD. 4877: Zinc plated BSW Bolt 3/8 x 5 HX. VOH-16: Dip & Fill Blank Plate. VOH200-14: Overfill Probe Blank Plate. VOH400-10: Lock Key. AVV3.0-10: Vapour Recovery Blank Plate. UG101: Ullage Gauge. VOH300-7: VOH410 Main Seal (Nitrile).



LIQUIP

VOH410 MANHOLE ASSEMBLY



ITEM 2: MODEL SHOWN WITH PLAIN HANDLE, 30kPa SPRING & LABEL FOR PVV104 (SUB-ASSEMBLY VOH500-32A)
 VARIANTS: PLAIN HANDLE, 24kPa (3 PSI) SPRING & LABEL FOR PVV104U (SUB-ASSEMBLY VOH500-32B)
 PLAIN HANDLE, 30kPa SPRING & LABEL FOR PVV104U (SUB-ASSEMBLY VOH500-32U)
 LOCKABLE HANDLE, 30kPa SPRING & LABEL FOR PVV104 (SUB-ASSEMBLY VOH500-33A)
 LOCKABLE HANDLE, 24kPa (3 PSI) SPRING & LABEL FOR PVV104U (SUB-ASSEMBLY VOH500-33B)
 LOCKABLE HANDLE, 30kPa SPRING & LABEL FOR PVV104U (SUB-ASSEMBLY VOH500-32U)

ITEM 3: MODEL SHOWN WITH ROLLED ALUMINIUM COAMING VOH300-15
 VARIANTS: ROLLED ALUMINIUM COAMING VOH300-15P (PLAIN FOR CURVED WALKWAYS)
 MILD STEEL COAMING VOH300-17
 COAMING SUPPLIED SEPARATELY

ITEM 4: PRESSURE VACUUM VENT REQUIRED IS DETERMINED BY CONFIGURATION OF ITEM 2.

NOT SHOWN: GRAVITY LATCH SUB-ASSEMBLY (ADD IF REQUIRED - VOH500-34Z)

ITEM NO.	PART NUMBER	DESCRIPTION	QTY	MATERIAL
1	VOH410-1	MANHOLE 18" to AS2809 AUST STANDARD	1	ALUMINIUM
2	VOH500-32A	EMERGENCY VENT PLAIN BRIDGE & HANDLE	1	ALUMINIUM
3	VOH300-15	COAMING EXTRUDED ALUMINIUM	1	ALUMINIUM
4	PVV104	PRESSURE AND VACUUM VENT	1	ALUMINIUM
5	VOH400-35Z	CLAMPBAND AND SEAL SUB-ASSEMBLY	1	STEEL

X1250003

Issue: C

METERS - VALVES - VENTS - MANHOLES - PUMPS - HOSEREELS - OVERFILL PROTECTION - LOADING ARMS - ELECTRONIC DIPSTICKS