

API-Camlock Coupling Adaptors

Liquip offers a range of API to Camlock gravity discharge adaptors for use where it is preferred to use existing hose fitted with standard camlocks.

API to Camlock adaptors are available at different angles and are fitted with a variety of seals to suit a wide range of products and market specific applications.



Ordering Information

Angled Camlock Adaptors

- API-MC80** API to 80mm male camlock at 15 degree downward angle fitted with Nitrile seal.
- API-MC80AT** API to 80mm male camlock at 15 degree downward angle fitted with Teflon seal.
- API-MC100** API to 100mm male camlock at 15 degree downward angle fitted with Nitrile seal.
- API-MC100AT** API to 100mm male camlock at 15 degree downward angle fitted with Teflon seal.

Straight Camlock Adaptors

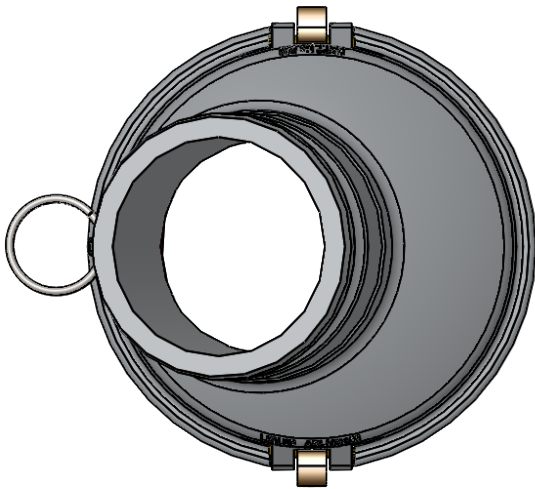
- API-MC3J** API to 75mm male camlock, straight with selective slot for JetA1 fitted with Nitrile seal.
- API-MC4** API to 4" male camlock, straight.
- API-MC4J** API to 100mm male camlock, straight with selective slot for JetA1 fitted with Nitrile seal.
- API-MC4G** API to 100mm male camlock, straight with selective slot for AVGAS fitted with Nitrile seal.
- API-MC4AT** API to 100mm camlock, straight fitted with Teflon seal.
- API-MC4-V** API to 100mm camlock adaptor, straight fitted with viton seal.

Associated Equipment

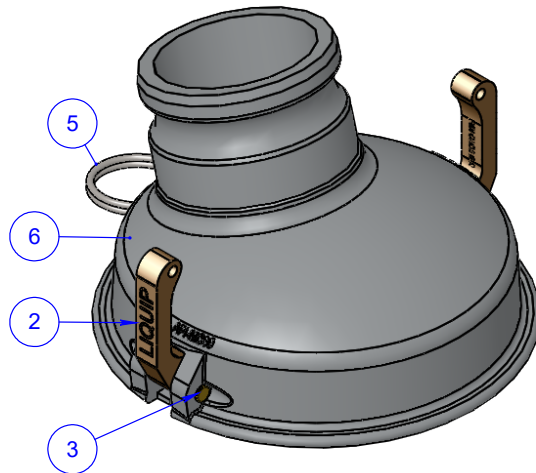
All API male adaptors.



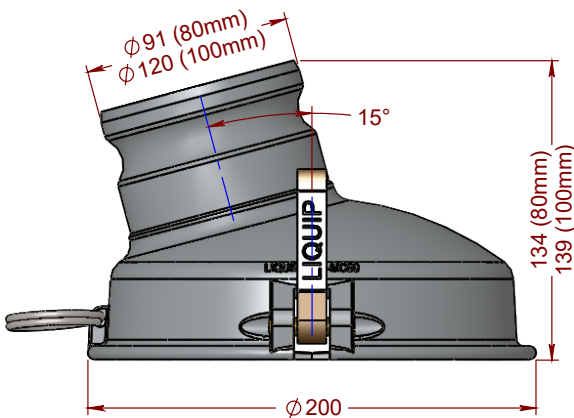
API-MC80 & API-MC100 ADAPTORS 15°



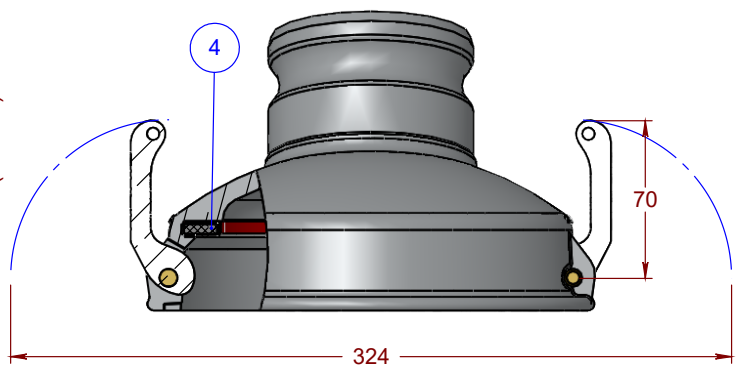
TOP VIEW
API-MC100 SHOWN



ISOMETRIC VIEW



SIDE VIEW
API-MC80 SHOWN



END VIEW WITH CUT-OUT

6	API-MC80-1	CAMLOCK API TO 80mm MALE	1	1	-	-	ALUMINIUM
5	0978	KEY RING 1 1/2 Z/P	1	1	1	1	Z/P STEEL
4	7605	ENVELOPE SEAL TEFLON	1	1	-	1	PTFE/NBR
	0249	SEAL WASHER FOR 4"	1	-	1	-	HI-ACRYLONITRILE
3	CLC3.0-3	PIN FOR CAMLEVERS	2	2	2	2	BRASS
2	CLC3.0-2	LEVER CAMLOCK	2	2	2	2	BRASS
1	C0532 (MACH)	CAMLOCK API TO 100mm MALE	-	-	1	1	ALUMINIUM
ITEM	PART No	DESCRIPTION	API-MC80	API-MC80AT	API-MC100	API-MC100AT	MATERIAL

METERS - VALVES - VENTS - MANHOLES - HOSEREELS - OVERFILL PROTECTION - LOADING ARMS - ELECTRONIC DIPSTICKS

LIQUIP
PART OF OPW a DOVER company



LIQUIP INTERNATIONAL PTY LTD

148B NEWTON RD, WETHERILL PARK SYDNEY N.S.W. AUSTRALIA 2164

Phone: +61 2 9725-9000 Web: www.liquip.com

X200016

Sheet 1 of 1
Issue: B