



THIS IS CONFIDENTIAL INFORMATION.
THIS DRAWING AND DESIGN IS THE PROPERTY OF LIQUIP INTERNATIONAL PTY LIMITED.
IT MUST NOT BE COPIED OR REPRODUCED IN ANY WAY WHATSOEVER AND/OR PASSED ON
TO ANY THIRD PARTY WITHOUT WRITTEN AUTHORITY.

LIQUIP INTERNATIONAL PTY LIMITED - ENGINEERING DEPARTMENT - 13 HUME RD SMITHFIELD SYDNEY NSW AUSTRALIA 2164
PH: +61 2 9725 9000 FAX: +61 2 9609 4739 EMAIL: engineering@liquip-nsw.com.au

STATIC REEL – LARGE DIAMETER

DATA SHEET

PART No: SR200

- TITLE:** Static reel with large diameter drum & cable guide, manual operation.
- OPERATION:** The unit is manual rewind as spring-rewind types have caused accidents when inadvertently released. Handle is free-spinning and more comfortable to use. The key to reliable operation is the use of a graphite brush bearing on a stainless steel shaft. It does not rely on body contact only as corrosion can create an insulating barrier.
- FEATURES:** To electrically bond two pieces of equipment to ensure the safe dissipation of static electricity charges. Typically when fuelling aircraft or pumping between a tanker and storage tank. Large diameter drum means less turns are required to wind cable back onto reel.
- DISMANTLE:** Always remove the cable, brush spring and brush before withdrawing the shaft and fit the shaft first when reassembling.
For installation see attached.
- ADJUSTMENT:** None.
Check continuity regularly according to your company standards.
- MOUNTING:** See attached installation instructions.
- TECHNICAL DATA:**
- Maximum end-to-end resistance 2 ohms.
 - Carbon brush runs in sealed section to eliminate dirt and corrosion.
 - Shaft has grease reservoir for all-of-life lubrication.
 - SR200 will hold a max of 76m standard PVC coated wire (4mm diameter)
 - Body -aluminium
 - Shaft -stainless steel
 - Cable Guide -zinc plated steel
 - Brush -carbon
 - *Note: Cable & static clamp are supplied separately*
 - Weight: 2.4kg
- ASSOCIATED EQUIPMENT:** SR100 - Static reel base model
SR200 - Large diameter reel for faster winding c/w cable guide

Overall dimensions shown on the drawing overleaf.

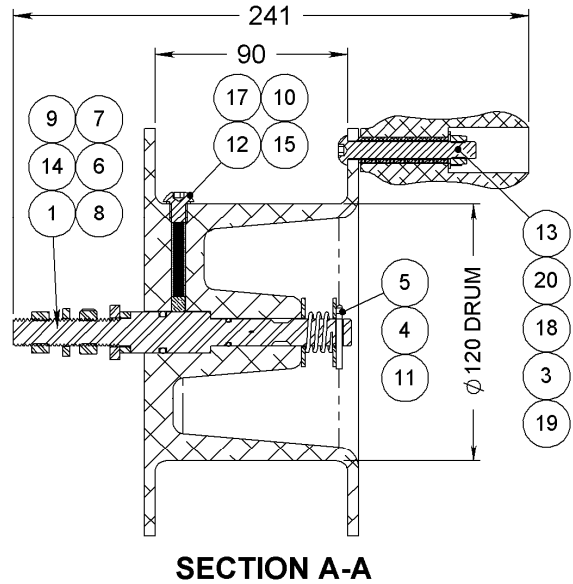
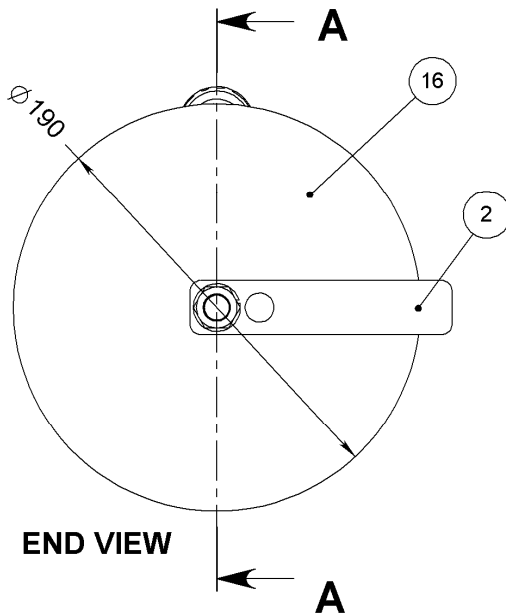


THIS IS CONFIDENTIAL INFORMATION.
THIS DRAWING AND DESIGN IS THE PROPERTY OF LIQUIP INTERNATIONAL PTY LIMITED.
IT MUST NOT BE COPIED OR REPRODUCED IN ANY WAY WHATSOEVER AND/OR PASSED ON
TO ANY THIRD PARTY WITHOUT WRITTEN AUTHORITY.

LIQUIP INTERNATIONAL PTY LIMITED - ENGINEERING DEPARTMENT - 13 HUME RD SMITHFIELD SYDNEY NSW AUSTRALIA 2164
 PH: +61 2 9725 9000 FAX: +61 2 9609 4739 EMAIL: engineering@liquip-nsw.com.au

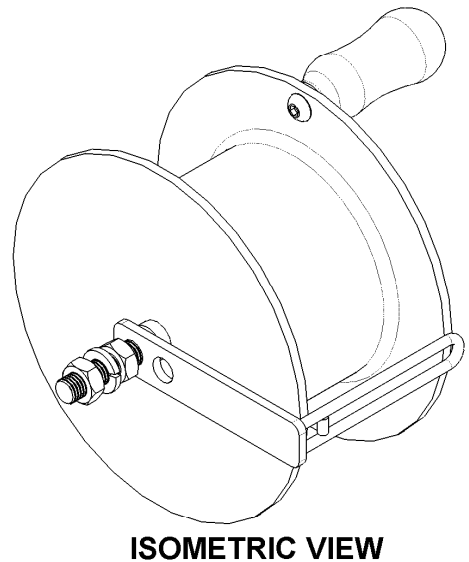
LIQUIP

SR200 Static Reel



NOTE: CABLE & STATIC CLAMP SUPPLIED SEPARATELY

ITEM NO.	PART NUMBER	DESCRIPTION	QTY	MATERIAL
1	SR100-7	SHAFT - MAIN	1	ST STEEL
2	SR200-3	CABLE GUIDE BRACKET	1	STEEL
3	SR200-6	HANDLE - ROTATING	1	ALUMINIUM
4	0814	WASHER FLAT	2	ST STEEL
5	0770	SPLIT PIN	1	ST STEEL
6	0805	NUT - HALF	2	ST STEEL
7	0822	WASHER SPRING	1	ST STEEL
8	0159	O-RING	1	NITRILE
9	0223	O-RING	1	NITRILE
10	SR100-4	CARBON BRUSH	1	CARBON
11	0436	SPRING - SHAFT	1	ST STEEL
12	0040	CAPSCREW METRIC	1	STEEL
13	6644	CAPSCREW METRIC	1	Z/P STEEL
14	7158	SPACER - CABLE GUIDE	1	ST STEEL
15	1409	EYE TERMINAL	1	STEEL
16	SR200-1	BODY LARGE DIA	1	ALUMINIUM
17	6147	SPRING CARBON BRUSH	1	ST STEEL
18	SR200-7	SPACER - HANDLE	1	ALUMINIUM
19	6620	WASHER FLAT	1	ST STEEL
20	4395	NUT NYLOC	1	Z/P STEEL
21	SR100-11	INSTRUCTION LEAFLET	1	PAPER



ISOMETRIC VIEW

X1100504

Issue: A

METERS - VALVES - VENTS - MANHOLES - PUMPS - HOSEREELS - OVERFILL PROTECTION - LOADING ARMS - ELECTRONIC DIPSTICKS



LIQUIP INTERNATIONAL PTY LTD
 P.O. Box 7049
 Wetherill Park BC, 2164
 Sydney NSW Australia
 Phone: +612 9725 9000
 Fax: +612 9725 1252

DISTRIBUTORS
 See website for
 Liquip branches
 and Distributors

www.liquip.com



THIS IS CONFIDENTIAL INFORMATION.
THIS DRAWING AND DESIGN IS THE PROPERTY OF LIQUIP INTERNATIONAL PTY LIMITED.
IT MUST NOT BE COPIED OR REPRODUCED IN ANY WAY WHATSOEVER AND/OR PASSED ON
TO ANY THIRD PARTY WITHOUT WRITTEN AUTHORITY.

LIQUIP INTERNATIONAL PTY LIMITED - ENGINEERING DEPARTMENT - 13 HUME RD SMITHFIELD SYDNEY NSW AUSTRALIA 2164
PH: +61 2 9725 9000 FAX: +61 2 9609 4739 EMAIL: engineering@liquip-nsw.com.au

SR SERIES STATIC REEL Installation Instructions

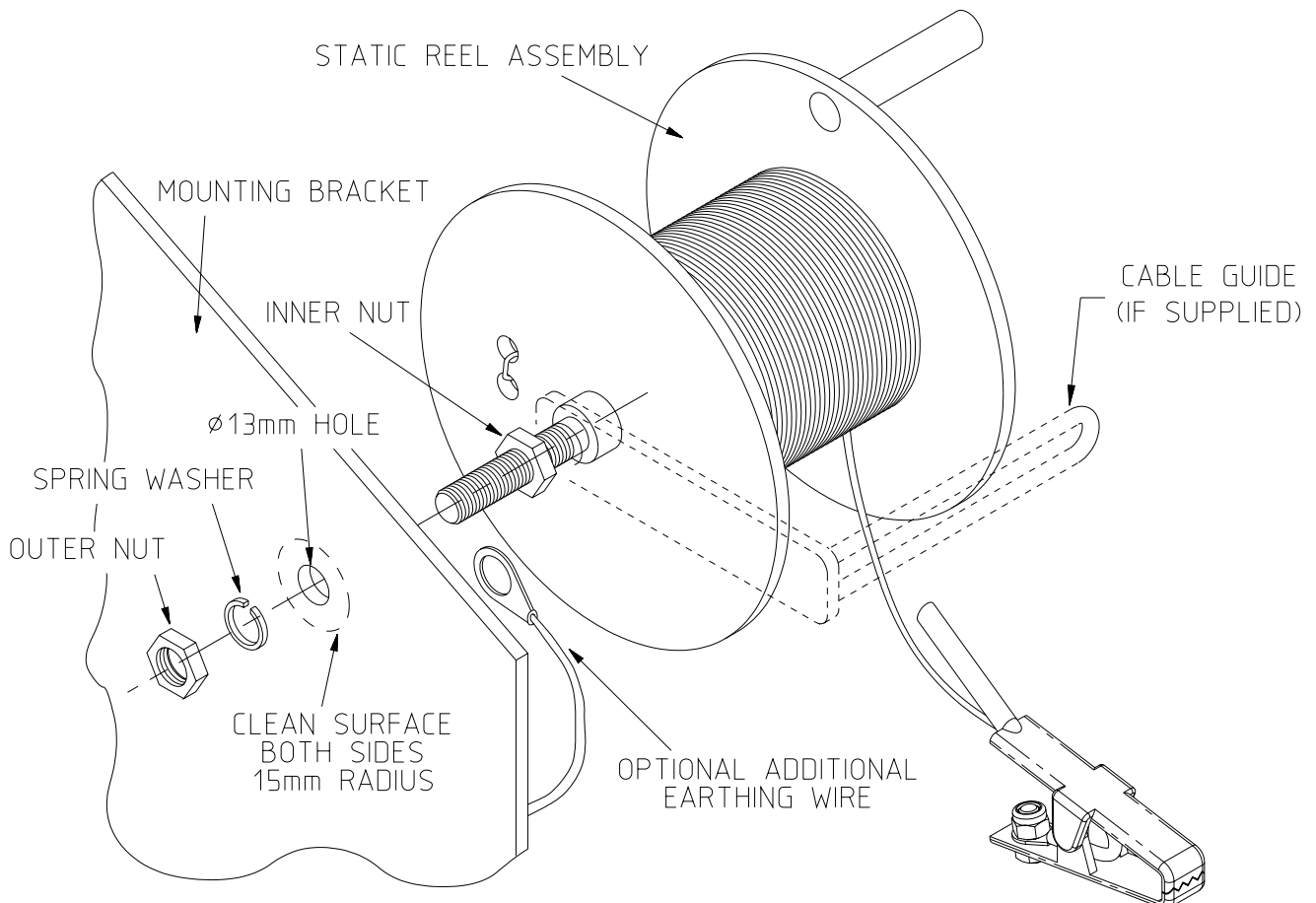
Part No: SR100-11

Good electrical conductivity at the mounting bracket is essential to the performance of the static reel.

The mounting bracket itself must be chosen for its continuity with the vehicle chassis and both sides of the mounting bracket must provide a clean, smooth, bare metal surface of at least 15mm radius from the centre of the 13mm diameter hole. Ensure the inner nut is tightened securely on the shaft and fasten the assembly with the outer nut and spring washer on the other side of the mounting bracket.

For SR200 reels, the spacer and cable guide are fitted onto the shaft first and the inner nut is fitted and tightened to hold the guide in the required position. The entire reel is then secured to the mounting bracket by the spring washer & outer nut on the other side of the bracket.

Further earthing continuity may be obtained by fitting a ring terminal and wire between the fixed nut and the mounting bracket and running it to a second earthing location on the chassis.



X1101496

Issue: D