

# EMERGENCY VENT AND BRIDGE ARRANGEMENT

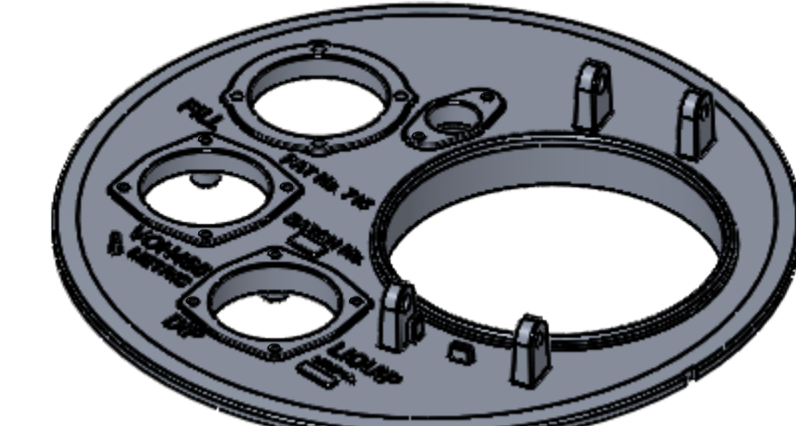
# PRESSURE / VACUUM VENT

# GRAVITY LATCH

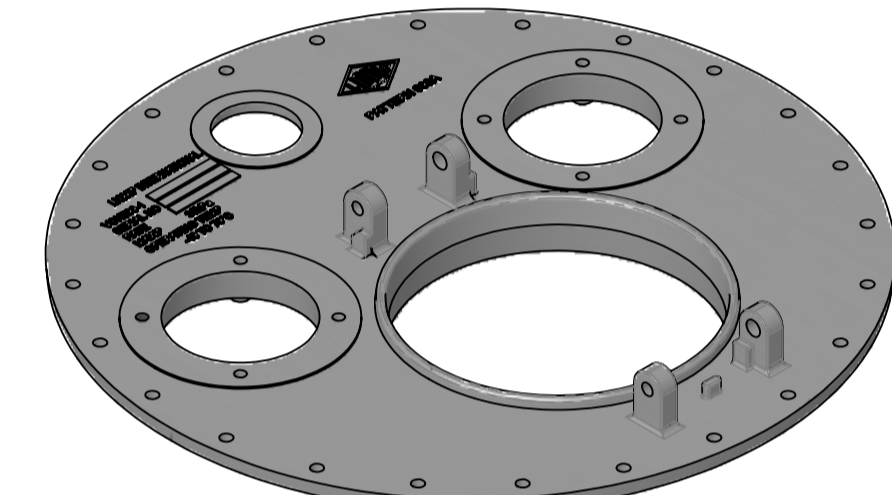
## MANHOLE COVER



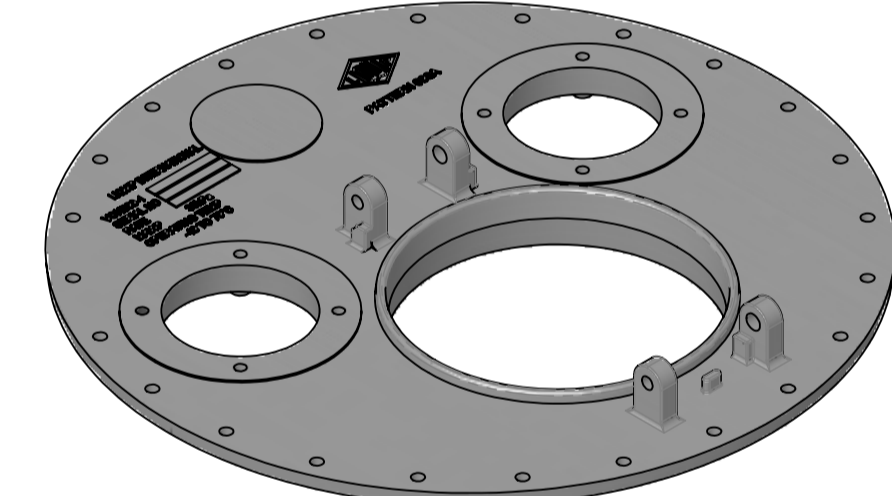
**VOH411** VOH411-1 MANHOLE COVER



**VOH451** VOH451-1 MANHOLE COVER



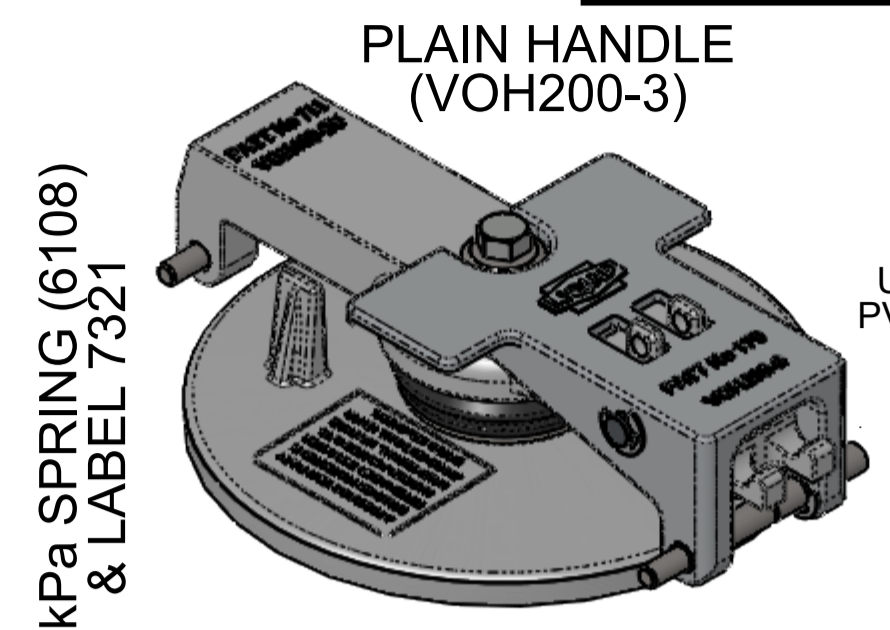
**VOH501D** VOH501D-1 DIE CAST WITH  
 Ø 60.8 PROBE MOUNT



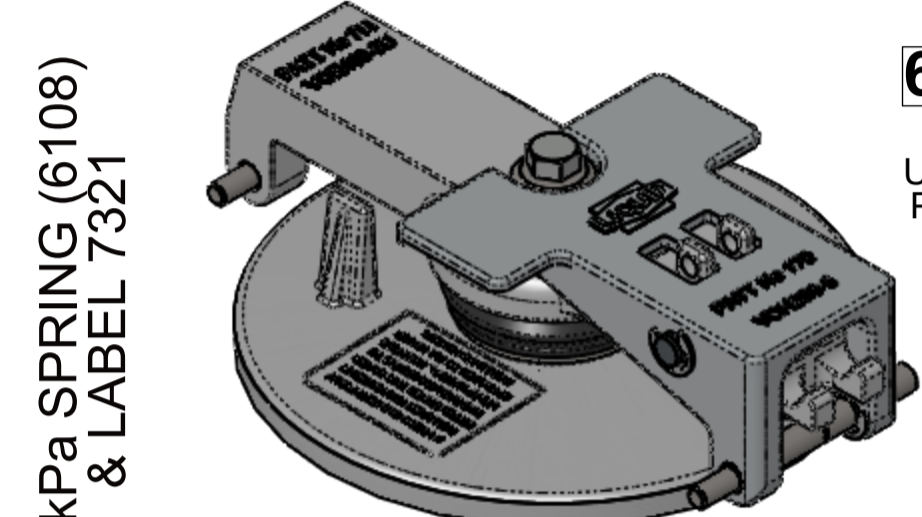
**VOH501E** VOH501E-1 WITHOUT PROBE MOUNT



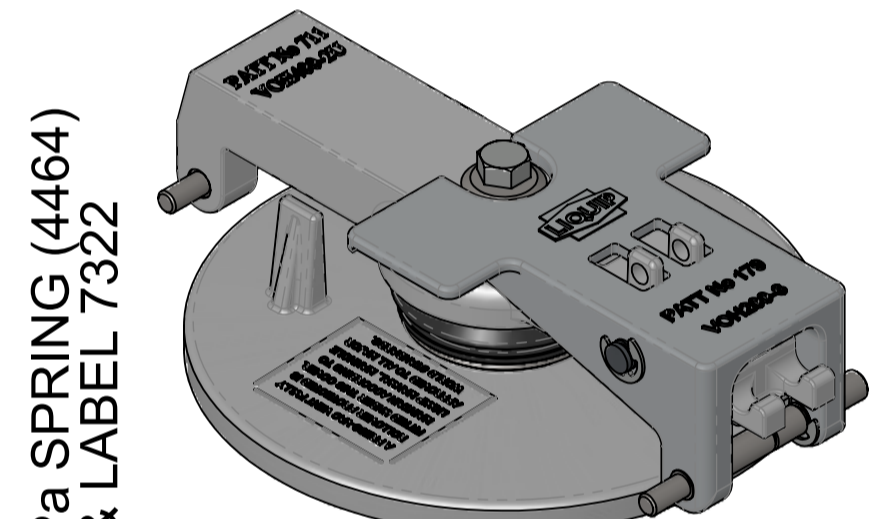
**VOH750** VOH750-1 MANHOLE COVER



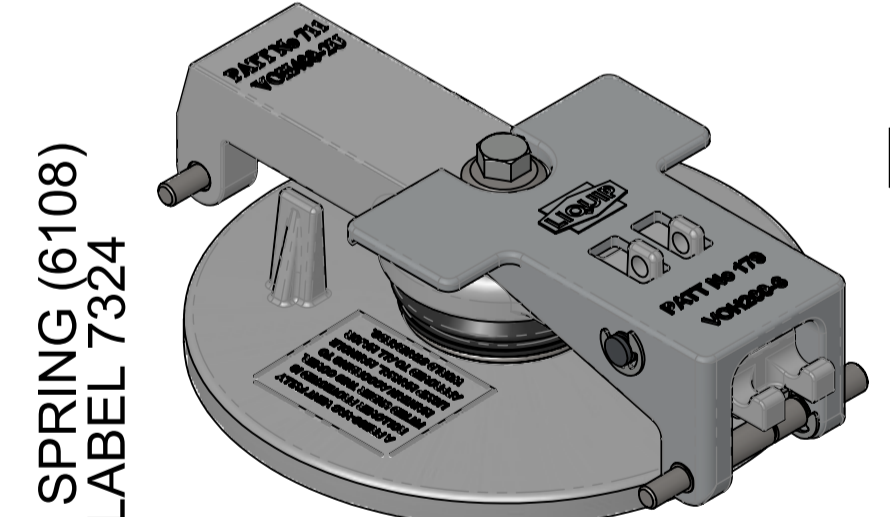
PLAIN HANDLE (VOH200-3)  
**6A** USE '8A' PVV ONLY



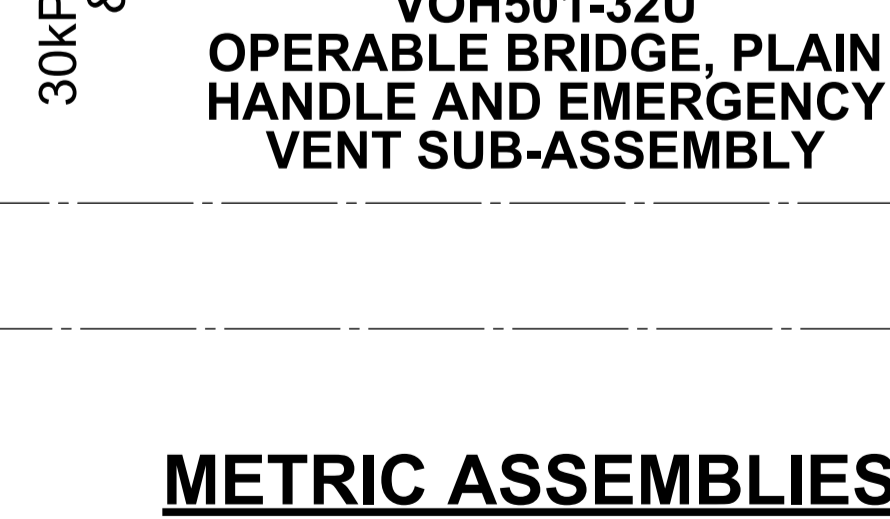
30kPa SPRING (6108) & LABEL 7321  
**VOH501-32A** OPERABLE BRIDGE, PLAIN HANDLE AND EMERGENCY VENT SUB-ASSEMBLY



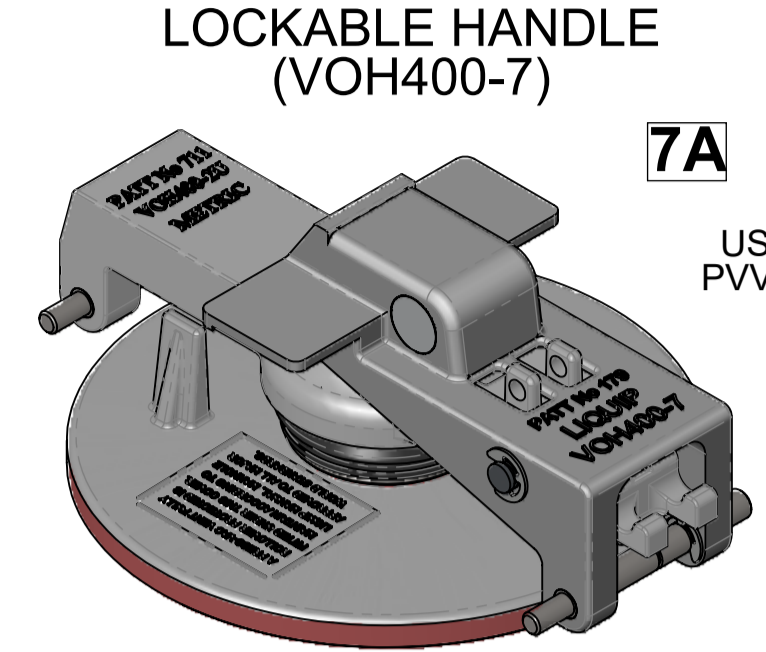
30kPa SPRING (6108) & LABEL 7321  
**6AVG** USE '8AVG' PVV ONLY  
**VOH501-32AVG** OPERABLE BRIDGE, PLAIN HANDLE AND EMERGENCY VENT SUB-ASSEMBLY



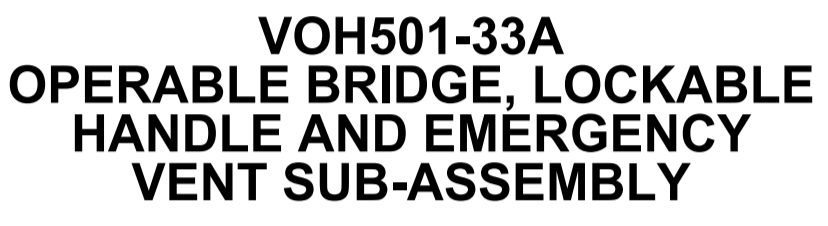
24kPa SPRING (4464) & LABEL 7322  
**6B** USE '8U' PVV ONLY  
**VOH501-32B** OPERABLE BRIDGE, PLAIN HANDLE AND EMERGENCY VENT SUB-ASSEMBLY



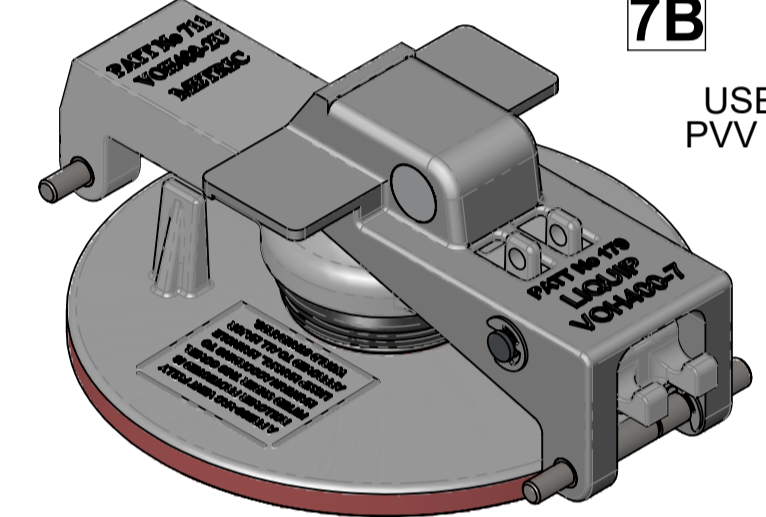
30kPa SPRING (6108) & LABEL 7324  
**6U** USE '8U' PVV ONLY  
**VOH501-32U** OPERABLE BRIDGE, PLAIN HANDLE AND EMERGENCY VENT SUB-ASSEMBLY



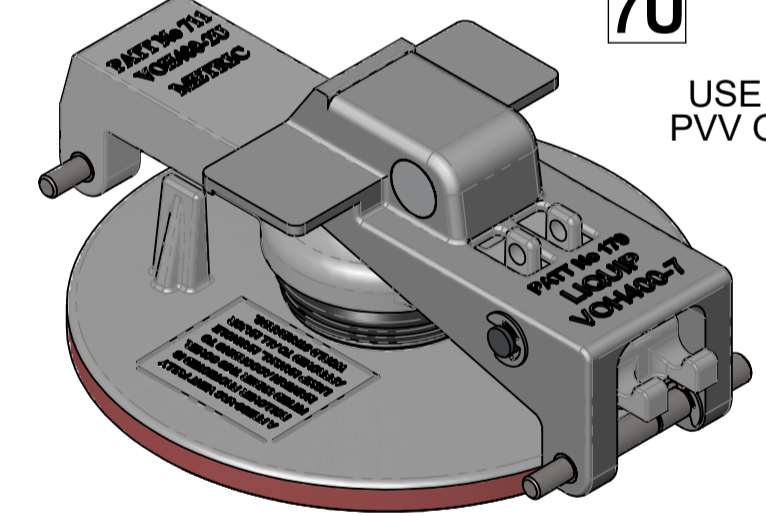
LOCKABLE HANDLE (VOH400-7)  
**7A** USE '8A' PVV ONLY



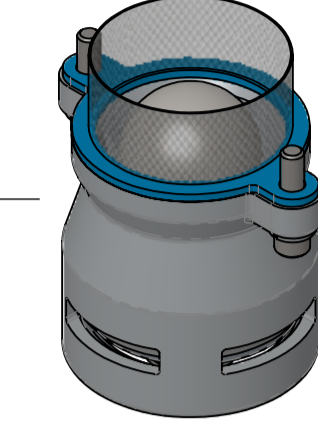
**VOH501-33A** OPERABLE BRIDGE, LOCKABLE HANDLE AND EMERGENCY VENT SUB-ASSEMBLY



**7B** USE '8U' PVV ONLY  
**VOH501-33B** OPERABLE BRIDGE, LOCKABLE HANDLE AND EMERGENCY VENT SUB-ASSEMBLY

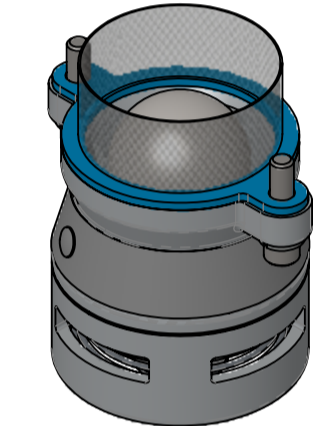


**7U** USE '8U' PVV ONLY  
**VOH501-33U** OPERABLE BRIDGE, LOCKABLE HANDLE AND EMERGENCY VENT SUB-ASSEMBLY



**8A** PVV104M TO AS2809 AUST STANDARD  
 OPENS AT:  
 PRESSURE: 10 TO 17 kPa  
 VACUUM: 0 TO -4 kPa VACUUM

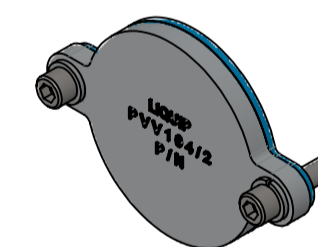
MUST BE FITTED TO 'A' SERIES EMERGENCY VENTS  
**8AVG** PVV104VGM TO AS2809 AUST STANDARD



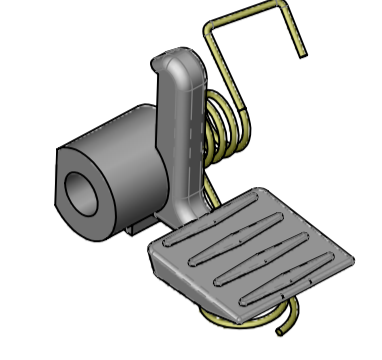
**8U** PVV104UM TO INTERNATIONAL REQUIREMENTS  
 OPENS AT:  
 PRESSURE: 8 TO 12 kPa  
 VACUUM: -0.4 TO -2.5 kPa VACUUM

MUST BE FITTED TO 'U' SERIES & 'B' SERIES EMERGENCY VENTS

NO PVV104 FITTED



**80** PVV104-2 BLANKING PLATE  
 4250 GASKET NBR CORK  
 5269 WASHER SPRING  
 55024 CAPSCREW M8 x 30



IF GRAVITY LATCH IS REQUIRED ADD FOLLOWING PARTS:  
 1 x VOH700-12 GRAVITY LATCH  
 1 x 0096 E-CLIP 1/2"  
 1 x 4446 SPRING f. GRAVITY LATCH

GRAVITY LATCH NOT FITTED

**VOH 451 6A 8A 0**

## METRIC ASSEMBLIES

**PART NUMBER EXAMPLE FOR VOH451 SERIES MANHOLE, CLAMPBAND STYLE WITH BRIDGE AND PLAIN HANDLE, 30kPa SPRING, PVV104M, NO GRAVITY LATCH. COAMINGS, SEAL AND CLAMPBAND ASSEMBLIES TO BE ORDERED SEPARATELY, SEE LIQUIP DRAWING V90803 FOR PART NUMBERS.**

A	RELEASED FOR PRODUCTION	DT	26/08/2020	19-027
B	UPDATED PVV SETTINGS AS PER MDC	HT	29-Sep-21	20-022
REV.	REVISION DESCRIPTION	BY	DATE	MDC REF.

DRAWING TITLE: COVER MANHOLE 20" TO CEN REGULATIONS 24 BOLT CW DIN 80 FLANGE MOUNTS		LIQUIP PART	VOH500D-1
MATERIAL: ALUMINIUM AA601		DRAWN	06/01/03
HEAT TREATMENT: TREAT TO T6		ASSY DWG	VOH500
PROTECTIVE TREATMENT: NONE		PATT No	608A
REMOVE ALL SHARP EDGES AND BURRS		SCALE	1:10
TOLERANCE UNLESS OTHERWISE SPECIFIED		MASS	6.24
LINEAR	±0.25	DRAWN BY	DT
ANGLES	±1°	A1	Sheet 1 of 1
SURFACE FINISH	3.2µm	DRAWING NO	V90204
MAXIMUM DRAFT	1.5°	ISSUE	B
FILLET RADIUS	2mm		

**THIS IS CONFIDENTIAL INFORMATION**  
 THIS DRAWING AND DESIGN IS THE PROPERTY OF LIQUIP INTERNATIONAL PTY LTD. IT MUST NOT BE COPIED OR REPRODUCED IN ANY WAY WHATSOEVER AND/OR PASSED ON TO ANY THIRD PARTY WITHOUT WRITTEN AUTHORITY.

**IF IN DOUBT, ASK!**  
**DO NOT SCALE OFF DRAWING**