

# 345 Series Butterfly Valves

03-21-004DS

The 345 Series Butterfly Valve is designed to be light weight without sacrificing strength. Flow restriction is minimized by use of one of the thinnest discs and largest openings in the market. Easy to use and light weight, the 345 Series Butterfly Valve is designed for rugged environmental conditions.

## Easy to Use and Light Weight

- Low opening and closing force for rugged environmental conditions and various types of loads
- Minimal flow restriction due to one of the thinnest discs and largest openings on the market
- Light weight without sacrificing strength

## Limits Contamination

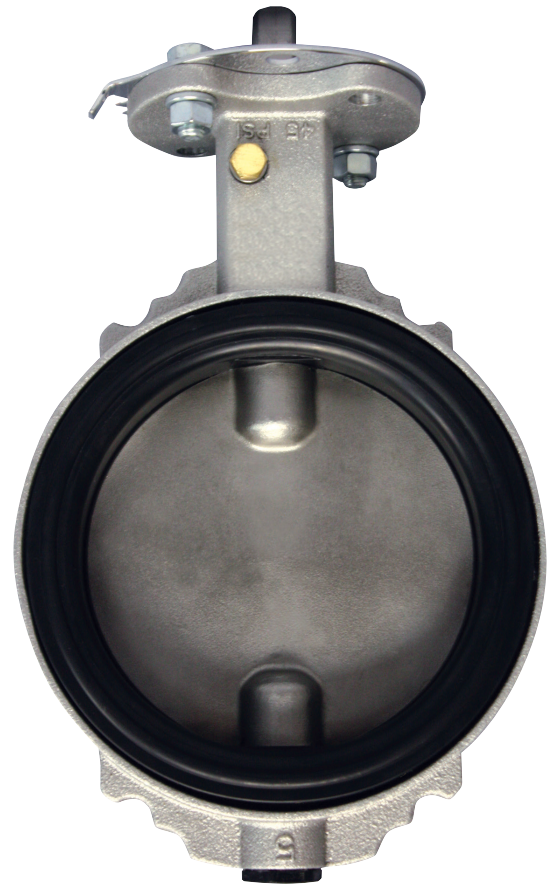
- No bolts or other hardware on the disc that can come loose and contaminate product
- Rated to 45 PSI

## Common Components

- The 2" - 6" valves use the same handle, reducing the amount of inventory
- The 345 Series valve is interchangeable with the 500 Series valve applications and use the same seat dimensions

## Long Lasting and 100% Tested

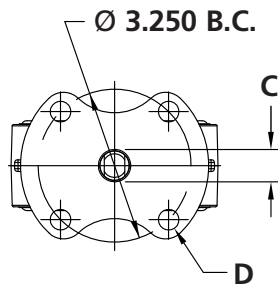
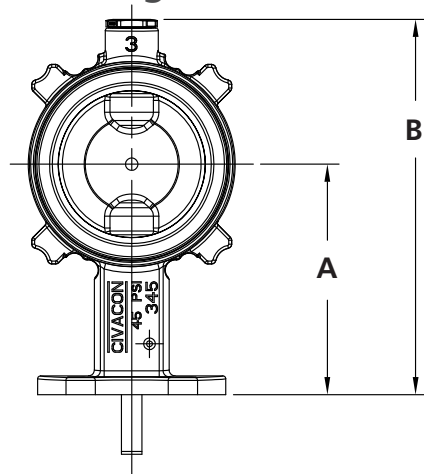
- All valves are 100% assembled and tested in our Hamilton, OH facility
- Testing reveals the 345 Series valves last longer in abrasive applications and maintain their low opening torque better than the competition



Ordering Specifications	
Part Number	Description
X-345-001700	345 Series Butterfly Valve w/ Nodular Iron Disc
X-345-002700	345 Series Butterfly Valve w/ Stainless Steel Disc
X-345-006700	345 Series Butterfly Valve w/ Aluminum Bronze Disc

# 345 Series Butterfly Valves

## Ordering Information



	2"	3"	4"	5"	6"
Dimension (A)	4.39	4.90	5.76	6.30	6.71
Dimension (B)	6.99	7.99	9.48	10.50	11.51
Dimension (C)	0.625	0.625	0.625	0.625	0.625
Weight (lbs.)	2.20	2.60	4.80	5.60	7.19

### Example Order: 3-345-001700H10

3" Valve - 345 Series - Alum. Body, DI Disc, Black Nitrile Seat, Standard Handle, 10 Position Plate

**3 - 345 - 01 - 2 - 700 - H10**

Valve Series

### Valve Size (inches)

- 2 = 2" Valve
- 3 = 3" Valve
- 4 = 4" Valve
- 5 = 5" Valve
- 6 = 6" Valve

### Valve Body Material

- 00 = Alum. Body
- 01 = Ductile Iron

### Disc Material

- 1 = Ductile Iron
- 2 = Stainless Steel
- 3 = Nylon Coated
- 4 = Aluminum/ Bronze

### Seat Material

- 700 = Black Nitrile
- 701 = White Nitrile
- 515 = EPDM
- 540 = Viton®
- 561 = Silicone

### Handle Option

- H10 = Standard Handle, 10 Position Plate
- LH = Locking Handle

## Material Specifications

Seat Material	Temp. Range	FDA Approved	Applications
Black Nitrile (700)	-40° F to 300° F	X	Used in petroleum, oils and water. Abrasion resistance approaching that of Urethane. Very resistant to extrusion at high pressures.
White Nitrile (701)	-40° F to 300° F	X	Used in petroleum, oils and water. Abrasion resistance approaching that of Urethane. Very resistant to extrusion at high pressures.
EPDM (515)	-40° F to 250° F	X	Used in Dry Bulk and water. Less than 10% acids, inorganic & organic alcohols, Alkaline Salts & Solutions. Not suitable for Hydrocarbons
Viton® (540)	0° F to 350° F		All aromatic, Aliphatic & Halogenated Hydrocarbons. Not for Ketones, Esters or in combination with hot water and oil.
Silicone (561)	-50° F to 300° F	X	Used primarily on low temperature applications. Not for use in applications over 50 PSI. due to low physical & mechanical properties