



# CLA-VAL 340GF

## Pressure Fuel Servicing Adapter



**P/N 10693-01J-OTC**

Standalone SPR unit (Non DFARS)

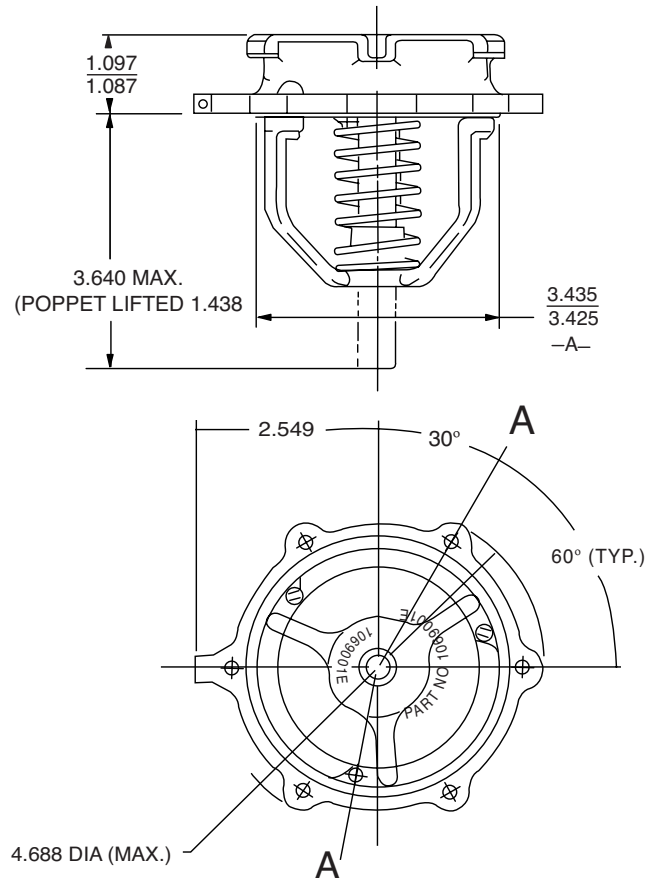
- **Conforms to MS24484-5**
- **Durable High-Strength Stainless Steel Body**
- **Body, Poppet and Spider are Precision Cast**
- **Long Wearing Fluorosilicone Seal**

The Cla-Val Model 340AF Pressure Fuel Servicing Adapter mates with both underwing fuelling nozzles and hydrant couplers. The adapter is designed for the delivery of pressurized fuel to both refueling tank trucks and fueling support vehicles, hydrant systems, fixed pipework fueling facilities and Tank Farms. The design and construction of the Cla-Val 340AF Adapter conform to MIL-A-25896 and MS24484-5.

To ensure maximum strength and durability, the Cla-Val 340AF Adapter is constructed of high-strength stainless steel and aluminum. The adapter body, poppet assembly, and spider are precision investment cast for a long service life under high-usage conditions. A Fluorosilicone seal bonded to the poppet provides drip-tight sealing throughout the adapter's specified temperature range.

### SPECIFICATIONS

<b>SPECIFICATIONS:</b>	Design and construction per MIL-A25896, Rev. "E" and Standard MS24484-5
<b>NOMINAL SIZE:</b>	2.5"
<b>LIQUIDS:</b>	Refined petroleum products
<b>TEMPERATURE RANGE:</b>	Fuel: -55°C to + 93°C (-67°F to + 200°F) Ambient: -55°C to + 177°C (-67°F to + 350°F)
<b>INLET:</b>	Threaded or flanged options available
<b>CONNECTION:</b>	2.5" single point bayonet
<b>MATERIALS:</b>	<p><b>Adapter Body</b> Investment cast stainless steel 17-4PH per AMS 5355, passivated</p> <p><b>Poppet Assembly</b> Investment cast aluminum A356T6 with Fluorosilicone elastomer</p> <p><b>Spider</b> Investment cast aluminum A356T6</p> <p><b>Spring</b> Stainless steel 17-7PH per AMS 5763</p> <p><b>Screws</b> Corrosion resistant steel per AMS 5737</p>



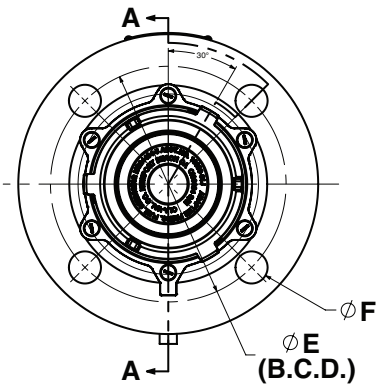


# CLA-VAL 340GF

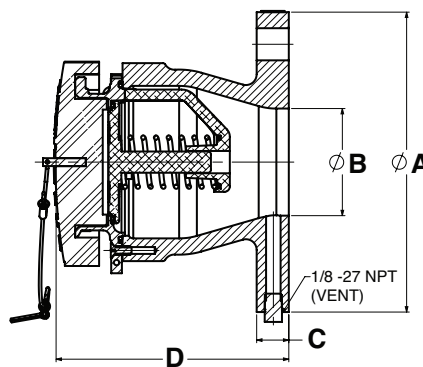
## Pressure Fuel Servicing Adapter

The 340AF is available as a standalone unit, without housing attached, or with one of the following housing options assembled;

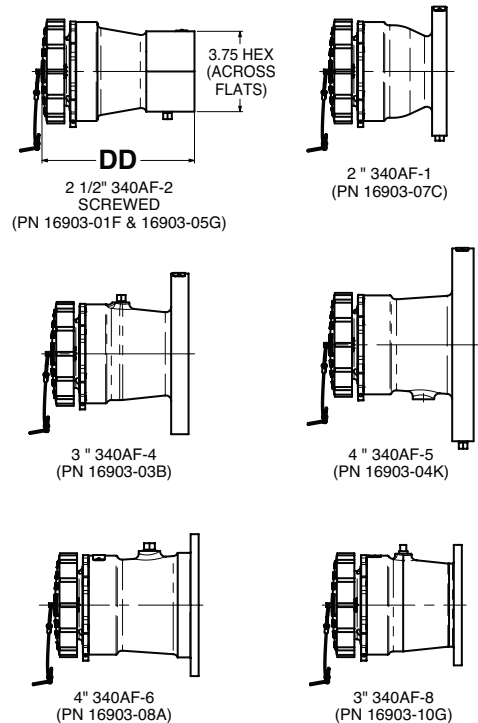
SIZE	CATALOG NO.	A	B	C	D	DD	E	F	NO. OF HOLES	MOUNTING CONNCTIONS
2.50	340AF-2	-	-	-	-	7.10	-	-	-	2-1/2 - 8 NPT
2.50	340AF-2KX	-	-	-	-	7.10	-	-	-	PIPE THD ISO 7/1-Rp 2 1/2
2.0	340AF-1	6.00	2.00	0.62	5.45	-	4.750	0.75	4	ANSI FLANGE 150 LB
2.50	340AF-3	7.00	2.50	0.69	5.45	-	5.500	0.75	4	
2.50	340AF-7	7.00	2.50	0.69	5.45	-	5.500	0.75	4	
3.0	340AF-4	7.50	3.00	0.75	6.38	-	6.000	0.75	4	
4.0	340AF-5	9.00	4.00	0.94	6.70	-	7.500	0.75	8	
3.0	340AF-8	5.63	3.00	0.38	6.04	-	4.875	0.44	8	TTMA
4.0	340AF-6	6.63	4.00	0.38	6.70	-	5.875	0.44	8	



VIEW SHOWN WITHOUT  
FIND NO. 4 DUST COVER, SPR



SECTION A-A  
2 1/2" 340AF-3 PN 16903-02D  
& 2 1/2" 340AF-7 PN 16903-09J (SHOWN)



**CLA-VAL GLOBAL HEADQUARTERS**  
1701 Placentia Avenue  
Costa Mesa, CA 92627  
Phone: 800-942-6326  
Fax: 949-548-5441  
E-mail: info@cla-val.com

**CLA-VAL EUROPE**  
Chemin des Mésanges 1  
CH-1032 Romanel/  
Lausanne, Switzerland  
Phone: 41-21-643-15-55  
www.cla-val.ch  
E-mail: cla-val@cla-val.ch

**CLA-VAL PACIFIC**  
45 Kennaway Road  
Woolston, Christchurch, 8023  
New Zealand  
Phone: 64-39644860  
www.cla-valpacific.com  
E-mail: info@cla-valpacific.com